

KPM Contact Resistance Tester (KPM-CRT)



KPM-CRT series contact resistance tester is designed to test the low resistance values from few $\mu\Omega$ to $2m\Omega$.

- Portable, Light Weight & Simple to Operate.
- With a resolution of $0.1\mu\Omega$, CRT is able to measure very low resistance of test objects like circuit breaker contacts, cable joints, bushing contact joints, welding joints, etc in accordance with IEC62271.

CRT is having an inbuilt memory of 100 results which facilitates the user to save the results onsite & then upload the results in PC software using RS232 port.

- Provided with onboard printer also.
- Works on four point measurement principle which eliminates the error due to resistance of measuring cables.



Key Points:

- High DC current upto 600A
- Millivolt voltage drop measurement.
- Simple Operation
- Noise Interference Rejection Facility
- Quick & stable results due to high power sources
- Inbuilt printer with memory of 100 results
- PC connectivity

Key Specifications:

Input Power AC 220V \pm 22V, 50Hz \pm 2Hz

Output	Model	Current
	KPM-CRT100	100A
	KPM-CRT200	200A
	KPM-CRT300	300A
	KPM-CRT400	400A
	KPM-CRT600	600A

Resistance Measurement 0-1.9999 $m\Omega$

Accuracy: $\leq 0.5\%$ of rdg.
 $\pm 0.5\%$ of full scale

Resolution: $0.1\mu\Omega$

Printer Interface Inbuilt

User Interface Keypads with push buttons & bright display LCD

Internal Data Storage 100 results

Environmental Operating Temperature: $0^{\circ}C \sim 48^{\circ}C$
Storage Temperature: $-10^{\circ}C \sim 60^{\circ}C$
Humidity: $\leq 80\%$

Dimensions 420x330x320 (mm³)

Weight <17kgs*

Case Rugged plastic/wooden hard carry case

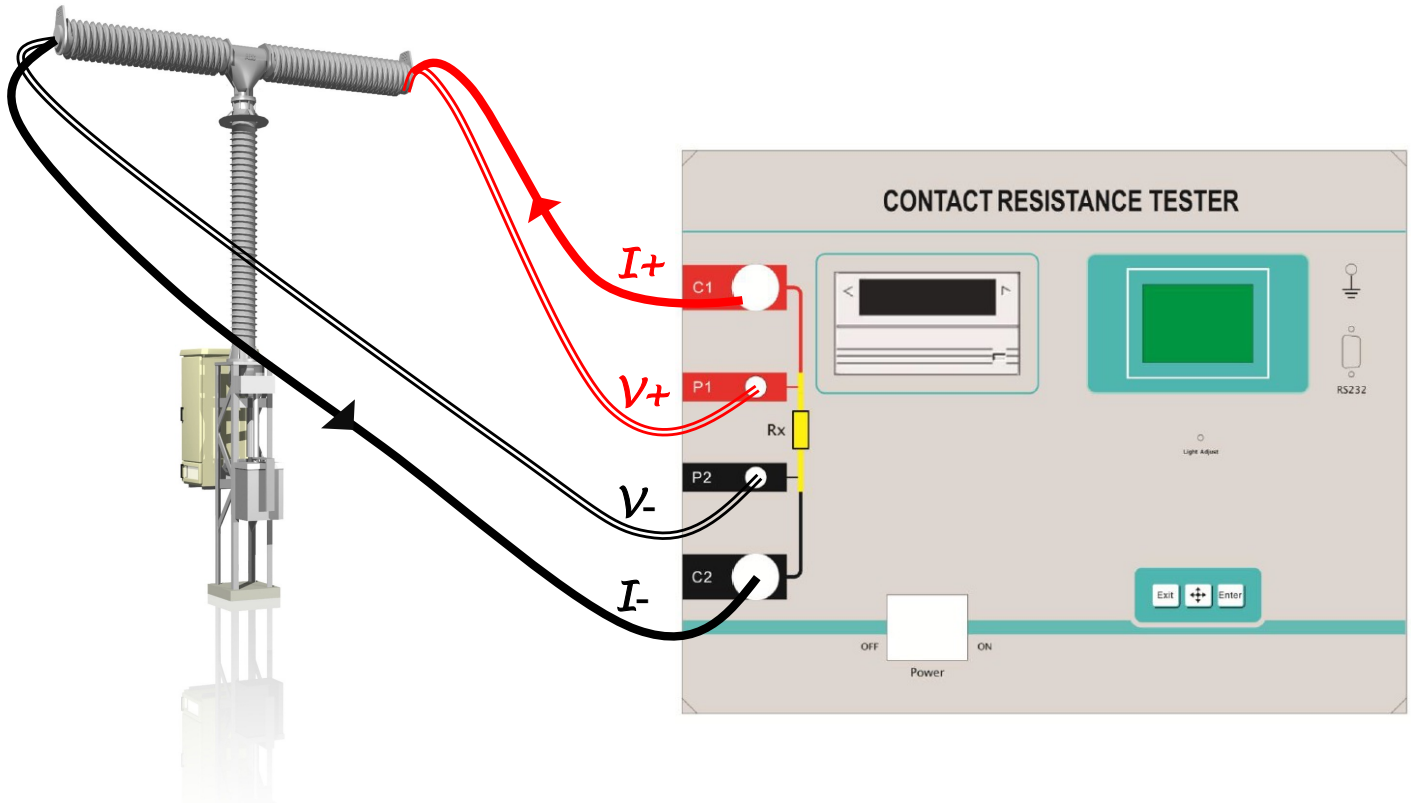
Accessories 220V Power Cable – 1 No.
Test Cables – 1 Set
Ground wire – 1 No.
Fuse (3A) – 5 Nos.
Instruction Manual – 1 No.
Test Certificate – 1 No.
Accessory bag – 1 No.
RS232 Cable – 1 No.
PC Software – 1 CD

*For 600A model

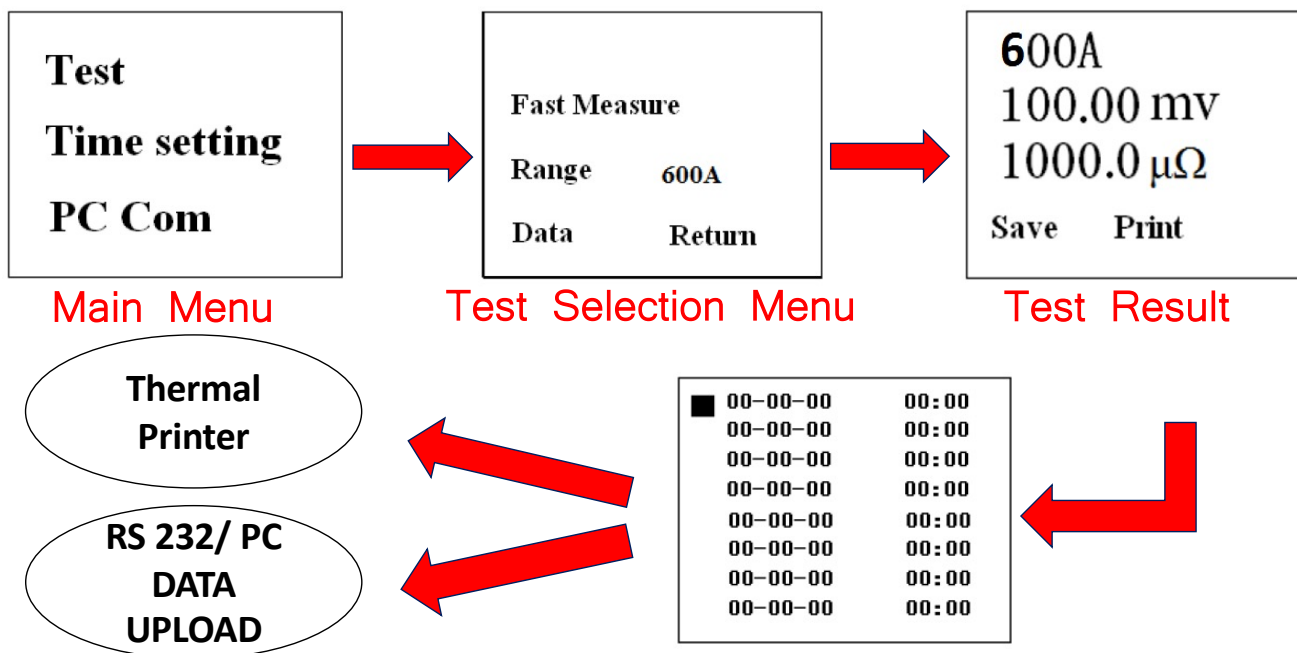
KPM Contact Resistance Tester (KPM-CRT)



Applications:

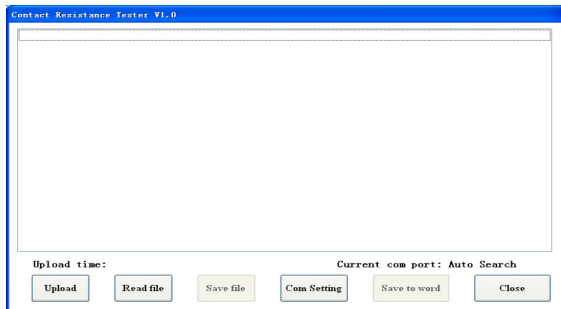


CRT Test Flow Chart:

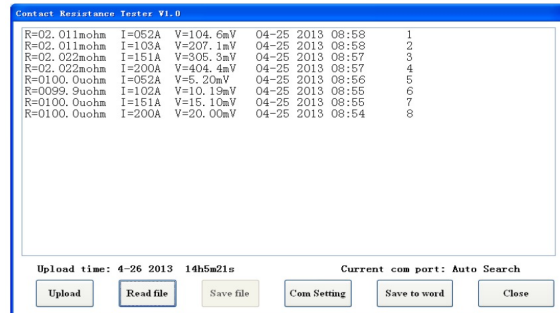


KPM Contact Resistance Tester (KPM-CRT)

PC Software:



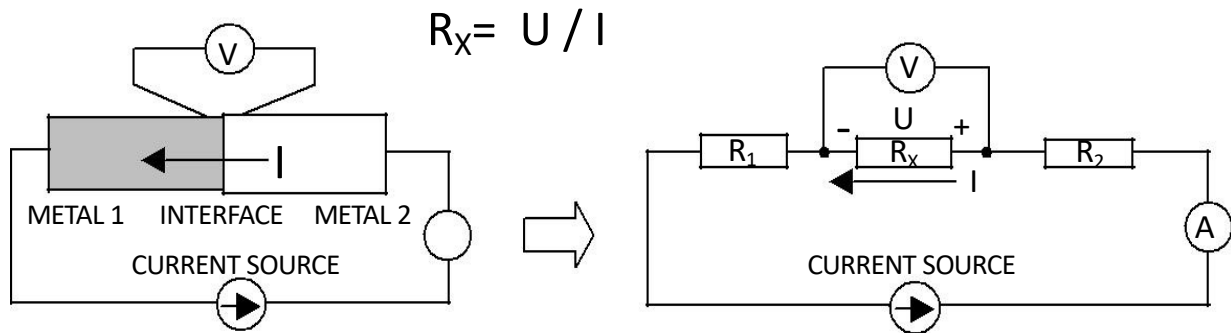
Data upload



Saved Data

Principle Of Operation:

- CRT is having a DC current source which injects current I across the resistance.
- Voltmeter V measures the voltage drop U across the test resistance.
- Then the contact resistance value, R_x , can be calculated in accordance with **Ohm's law** as below



About Us

KPM is a high quality manufacturer & provider of rugged electrical testing equipment for EHV/HV/LV substations. KPM solutions are known for:

- Best in class specifications
- Unique test approach
- Interference rejection capability

Each equipment is supported by advance service center in Gurgaon backed by a team of expert application & service engineers. KPM aims in bringing highest specification products at the doorstep of Indian customers in best rates.

Contact Us

KPM ENGINEERING SOLUTIONS PVT. LTD.
 815 A, 8th Floor, Unitech Arcadia, Sec 49,
 Gurugram – 122018 ,Haryana
 Website : www.kpmttek.com
 Email : info@kpmttek.com
 Phone No : +91 124 4001088